

Nexys Video Xilinx Analog Devices
 Digilent Inc. CE ROHS Chinese ROHS

SHIELD F Foot F1
 SHIELD F Foot F2
 SHIELD F Foot F3
 SHIELD F Foot F4

Title: Nexys Video
 Circuit OLED Display, PMOD, General I/O
 Doc# 500-316
 Engineer EG
 Author DL
 Date 11/14/2014
 Sheet# 1 out of 15

Rev: A.0
 Copyright 2014

A

A

B

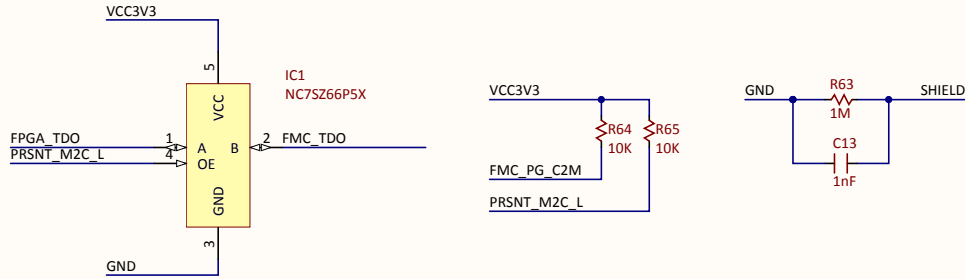
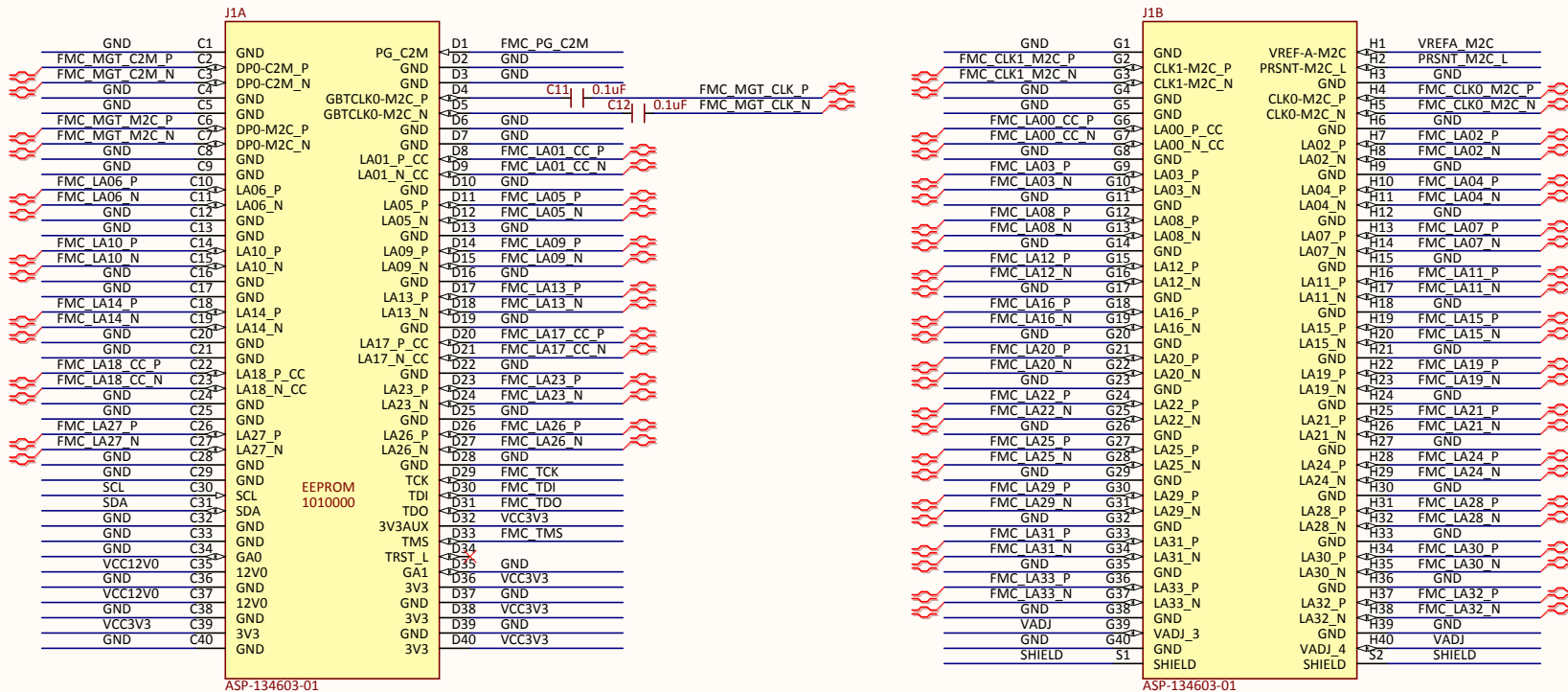
B

C

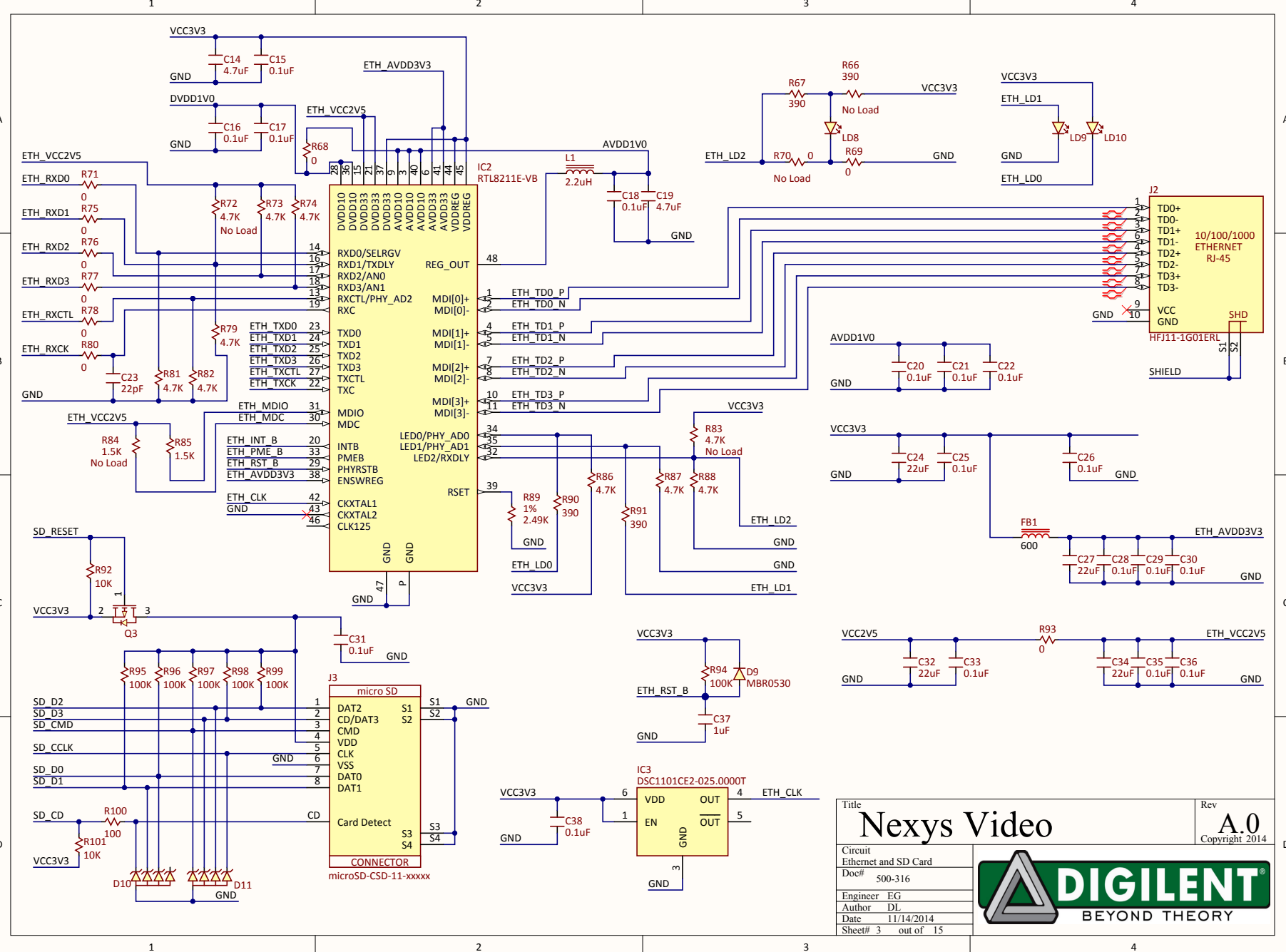
C

D

D



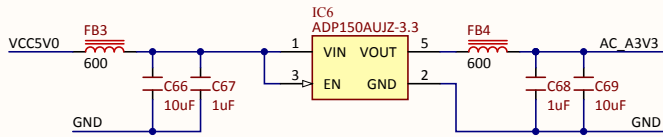
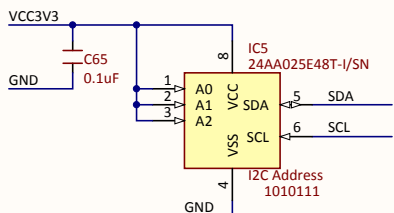
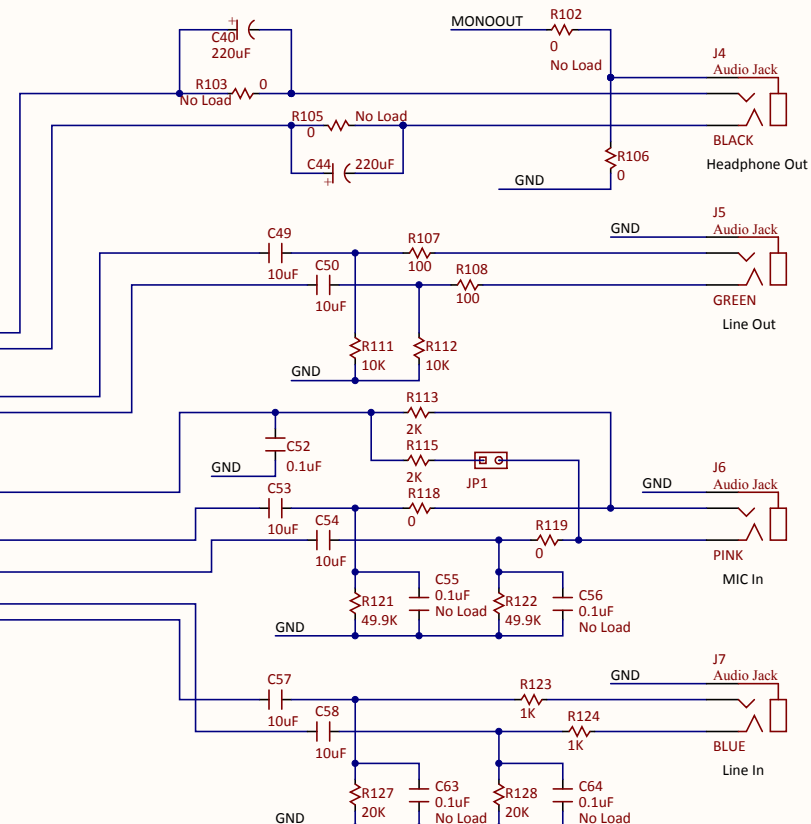
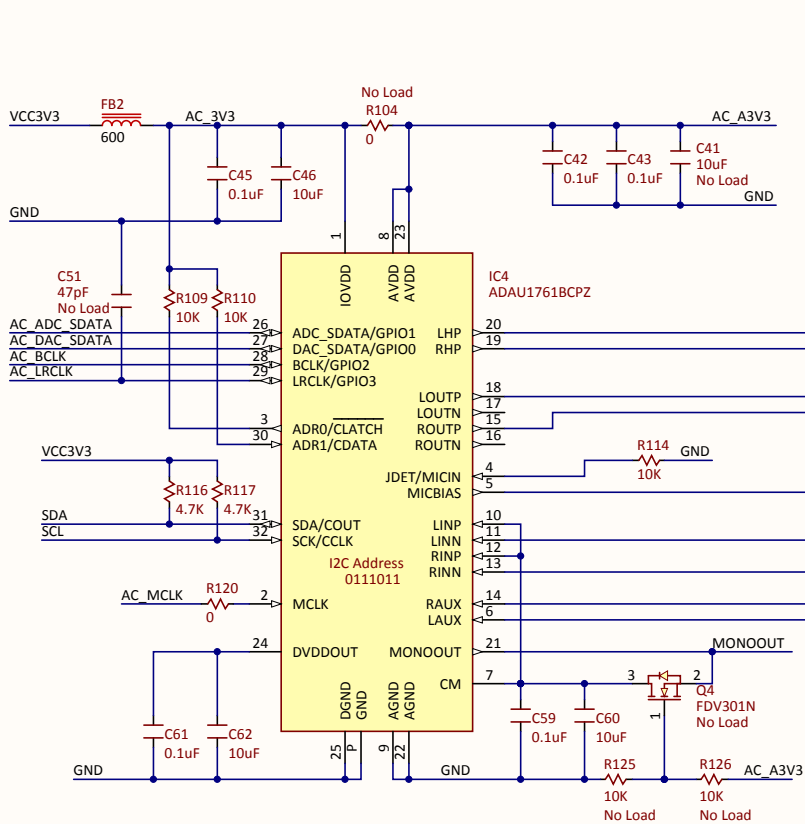
Title		Rev
Nexys Video		A.0
Copyright 2014		
Circuit FMC Connector		
Doc# 500-316		
Engineer EG		
Author DL		
Date 11/14/2014		
Sheet# 2 out of 15		



Title		Rev	
Nexys Video		A.0	
Circuit Ethernet and SD Card		Copyright 2014	
Doc# 500-316			
Engineer EG			
Author DL			
Date 11/14/2014			
Sheet# 3 of 15			



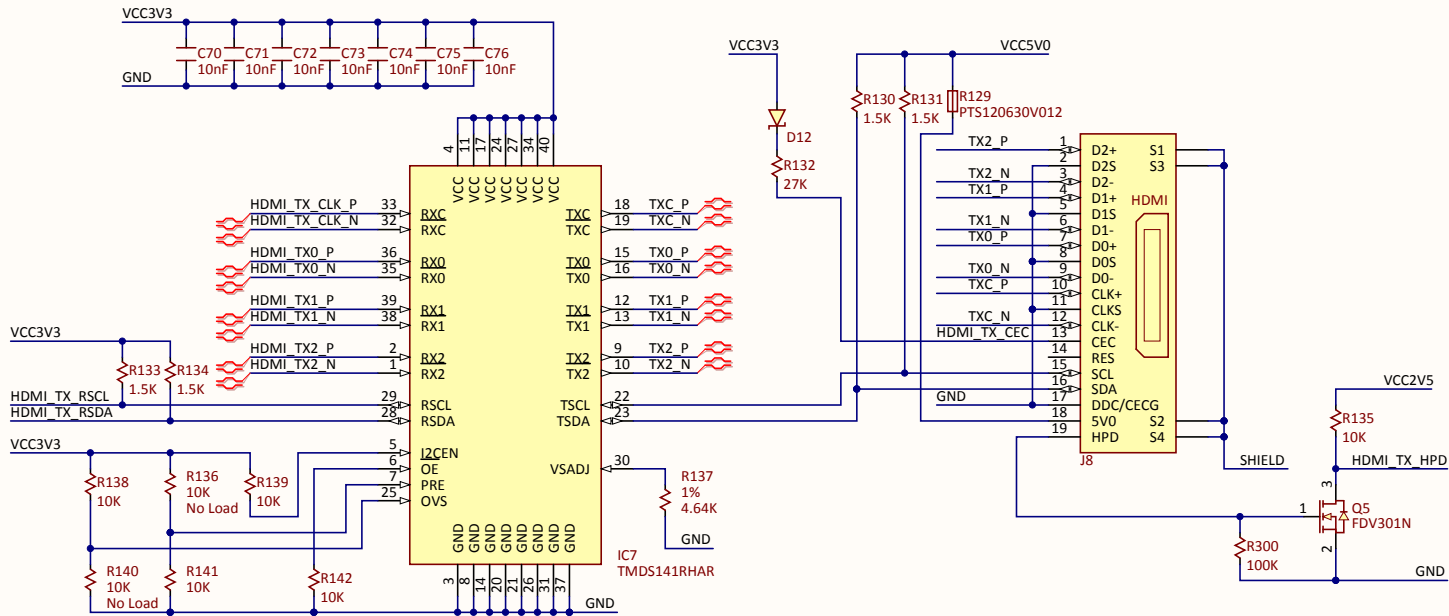
DIGILENT
BEYOND THEORY



For more information about this parts please refer to:

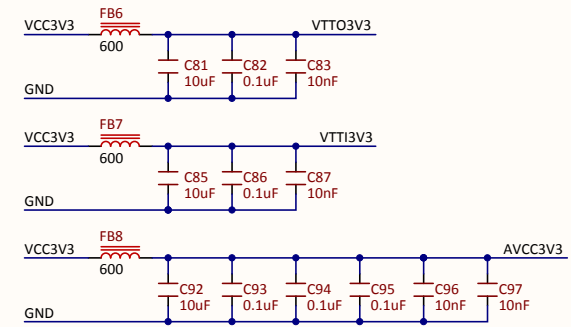
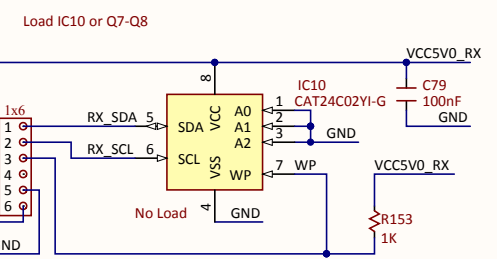
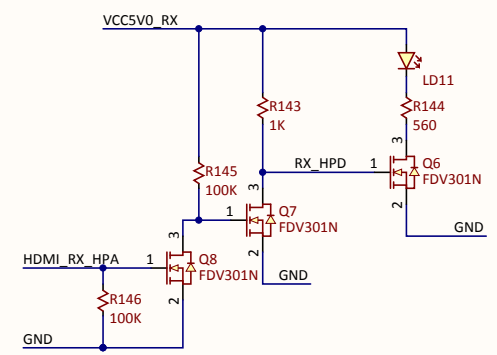
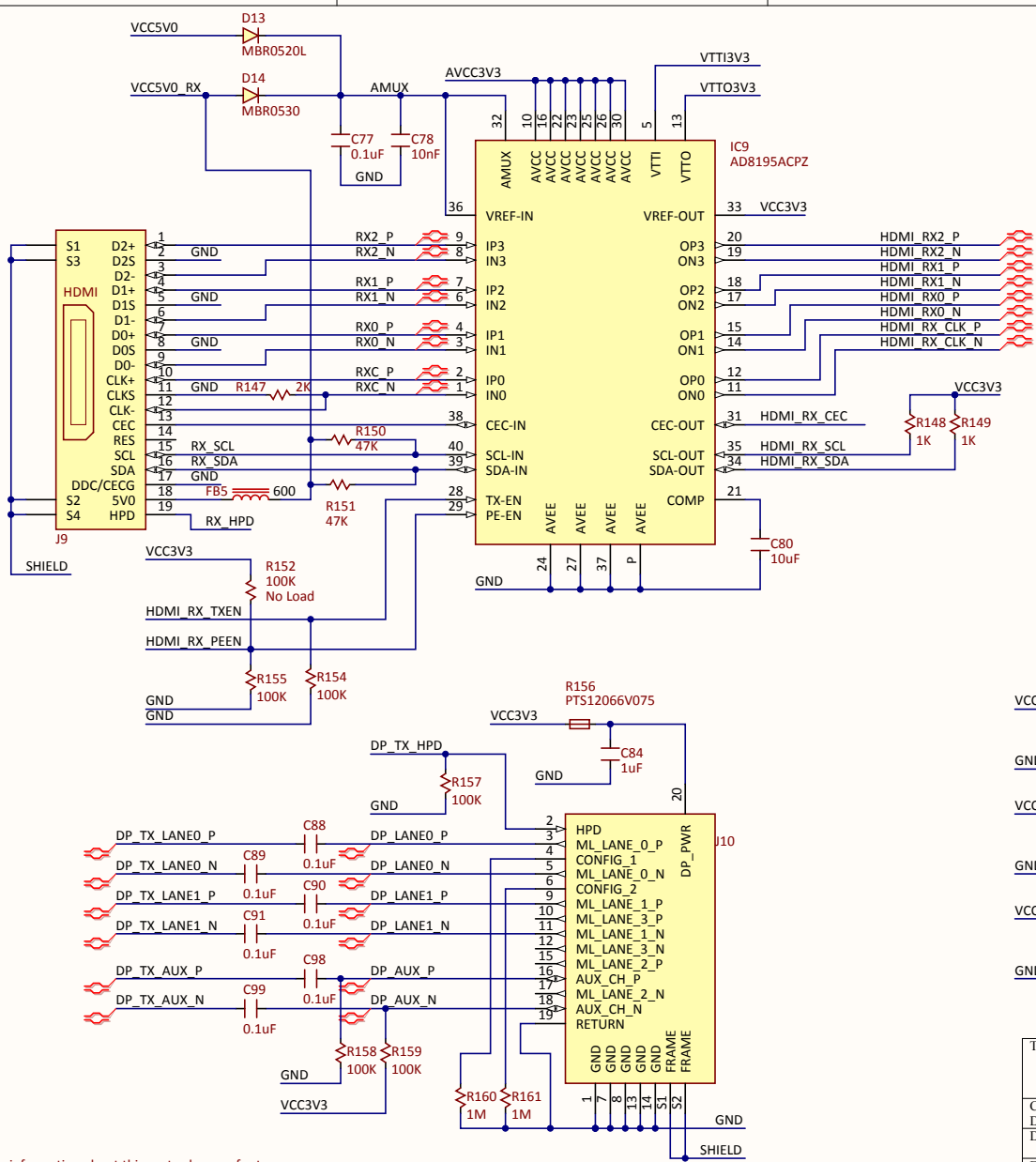
www.analog.com/adp150 Ultralow Noise, 150 mA CMOS Linear Regulator
www.analog.com/adau1761 SigmaDSP Stereo, Low Power, 96 kHz, 24-Bit Audio Codec with Integrated PLL

Title		Rev	
Nexys Video		A.0	
Circuit Audio		Copyright 2014	
Doc# 500-316			
Engineer EG			
Author DL			
Date 11/14/2014			
Sheet# 4 out of 15			



Title		<h1 style="margin: 0;">Nexys Video</h1>	Rev	A.0
Circuit			Copyright 2014	
HDMI Source				
Doc#		500-316		
Engineer		EG		
Author		DL		
Date		11/14/2014		
Sheet#		5 out of 15		

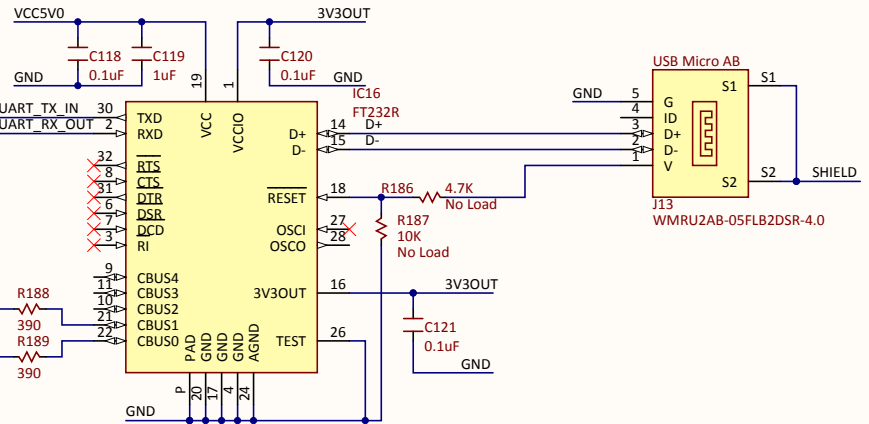
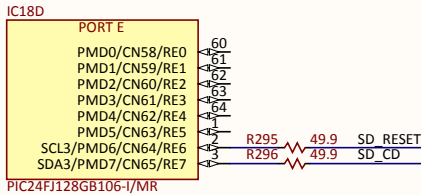
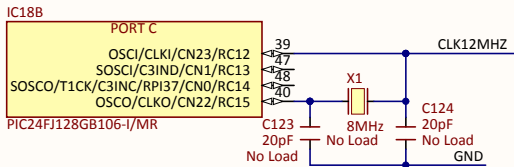
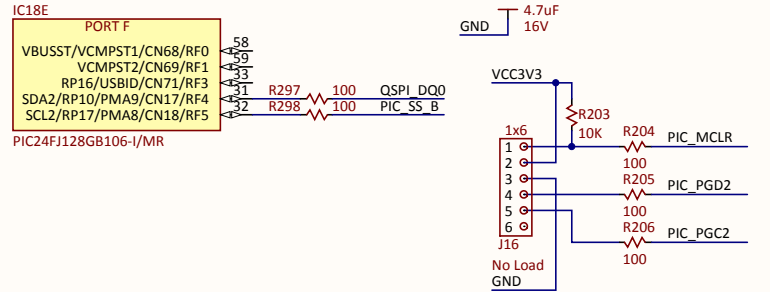
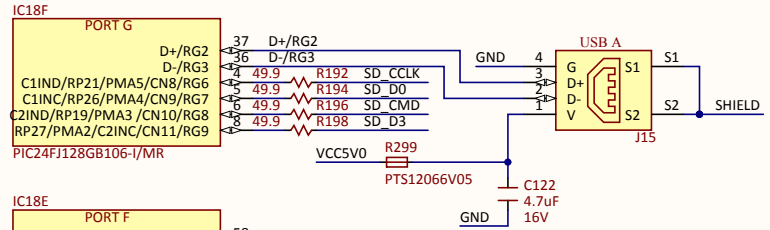
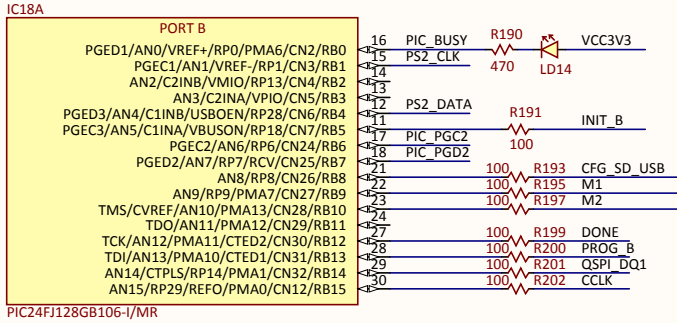
DIGILENT
 BEYOND THEORY



Title		Rev	
Nexys Video		A.0	
Circuit DisplayPort, HDMI Sink		Copyright 2014	
Doc#	500-316	Engineer	EG
Author	DL	Date	11/14/2014
Sheet#	6 of 15		

For more information about this parts please refer to:
www.analog.com/AD8195 (HDMI/DVI Buffer with Equalization)

This page intentionally left blank.



Title		Nexys Video		Rev		A.0	
Circuit		USB HID, UART		Copyright		2014	
Doc#		500-316					
Engineer		EG					
Author		DL					
Date		11/14/2014					
Sheet#		8 out of 15					



DIGILENT
BEYOND THEORY

A

A

B

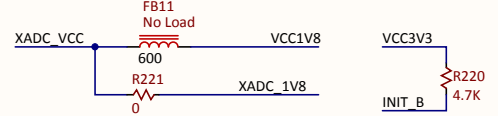
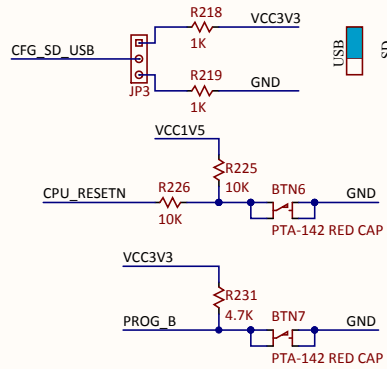
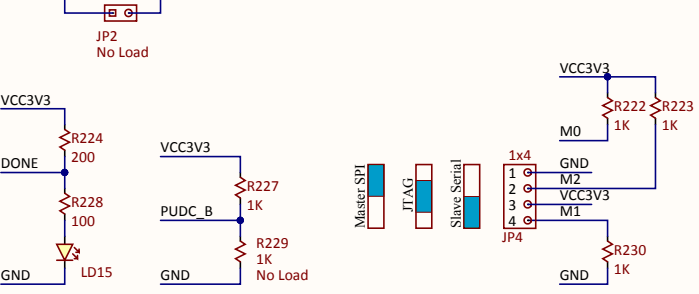
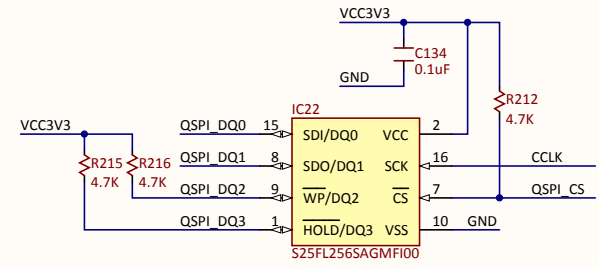
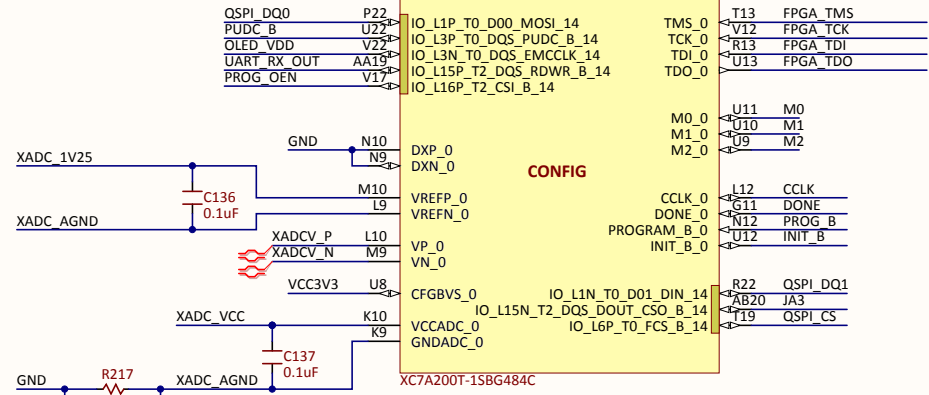
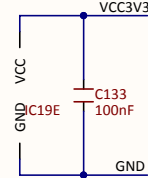
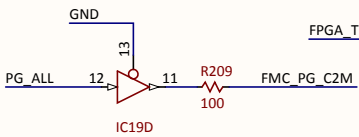
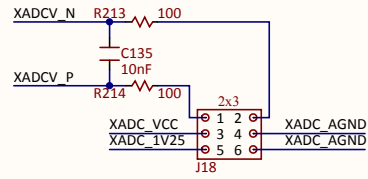
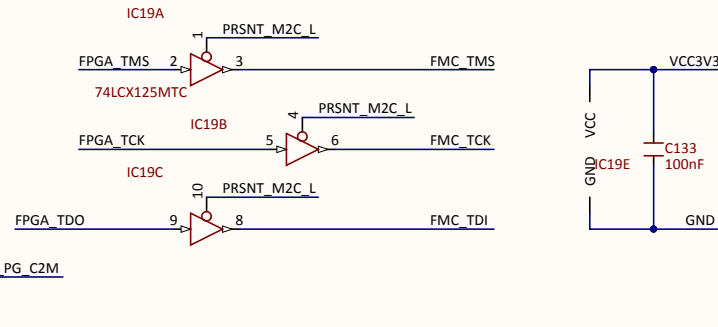
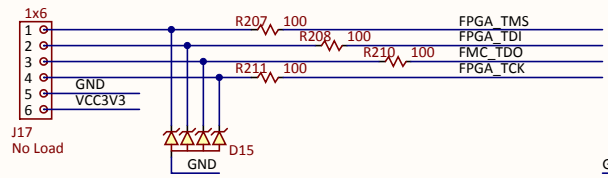
B

C

C

D

D



Title		Rev	
Nexys Video		A.0	
Circuit Configuration		Copyright 2014	
Doc# 500-316			
Engineer EG			
Author DL			
Date 11/14/2014			
Sheet# 9 out of 15			

VCC2V5

VCC3V3

VADJ

IC20A

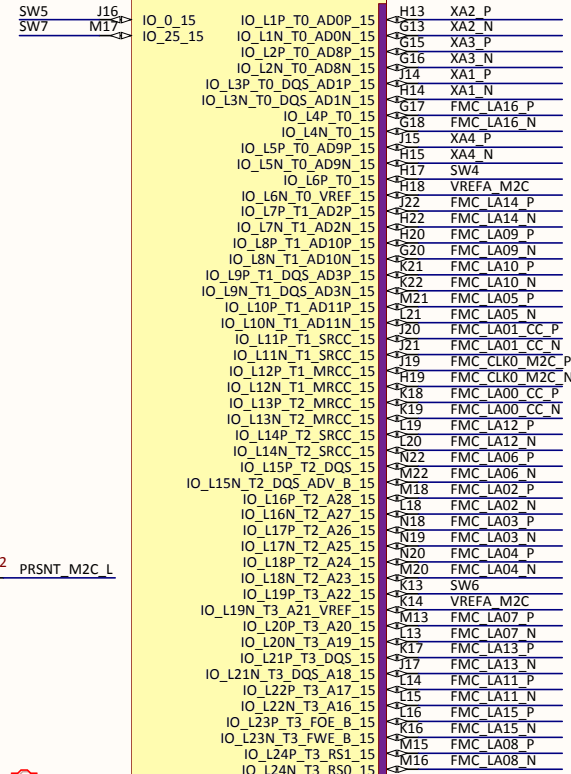
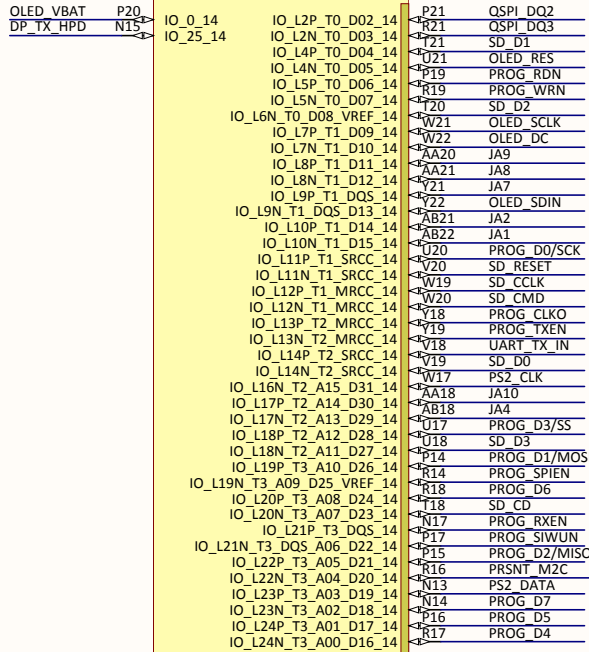
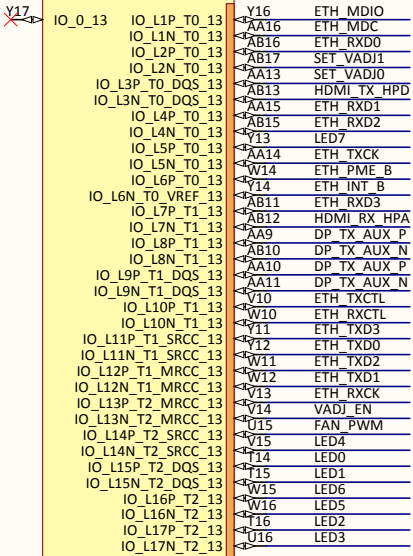
IC20B

IC20C

BANK 13

BANK 14

BANK 15

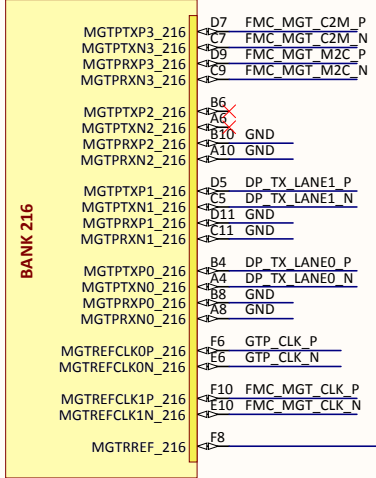


XC7A200T-1SBG484C

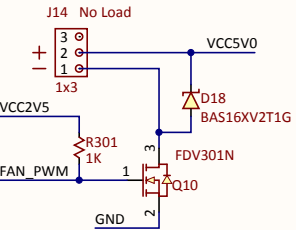
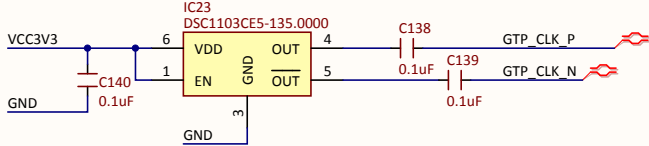
XC7A200T-1SBG484C

XC7A200T-1SBG484C

IC20G

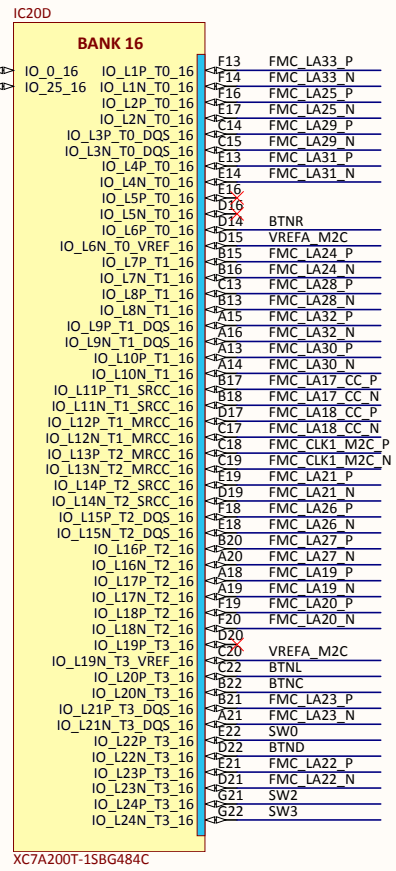


XC7A200T-1SBG484C

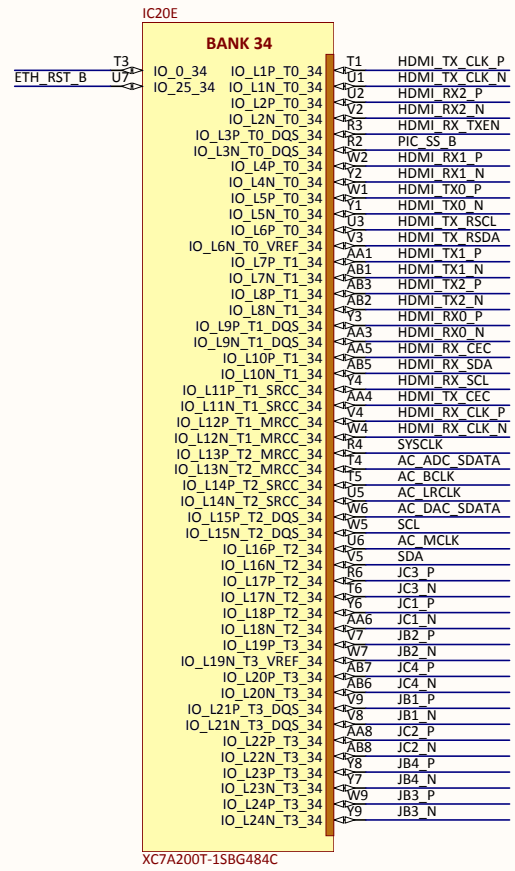


Title			Rev
			A.0
Circuit			Copyright 2014
FPGA Banks			
Doc#		500-316	
Engineer		EG	
Author		DL	
Date		11/14/2014	
Sheet#		10 out of 15	

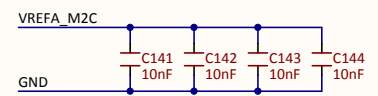
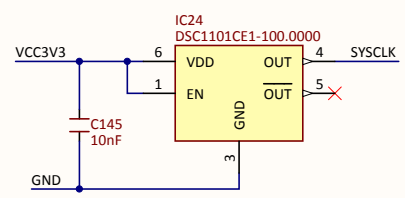
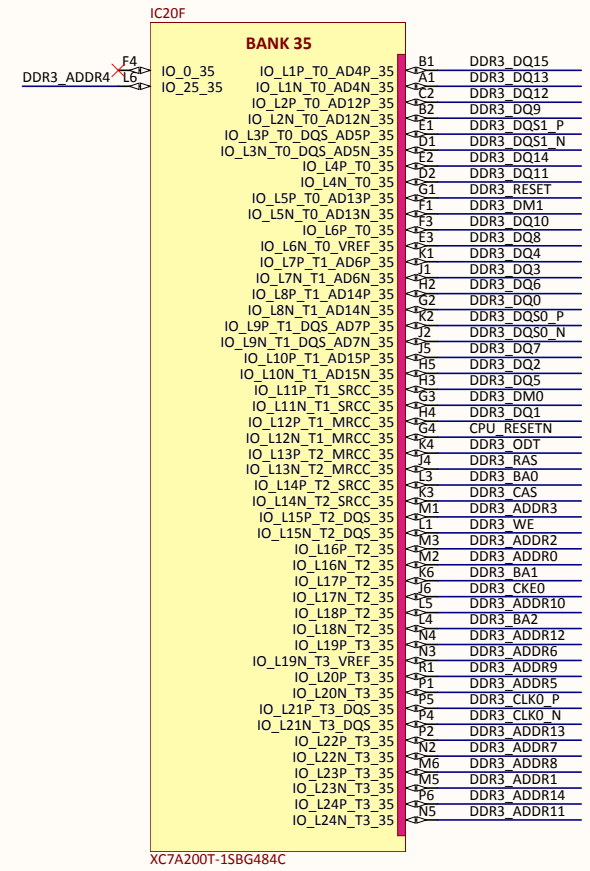
VADJ



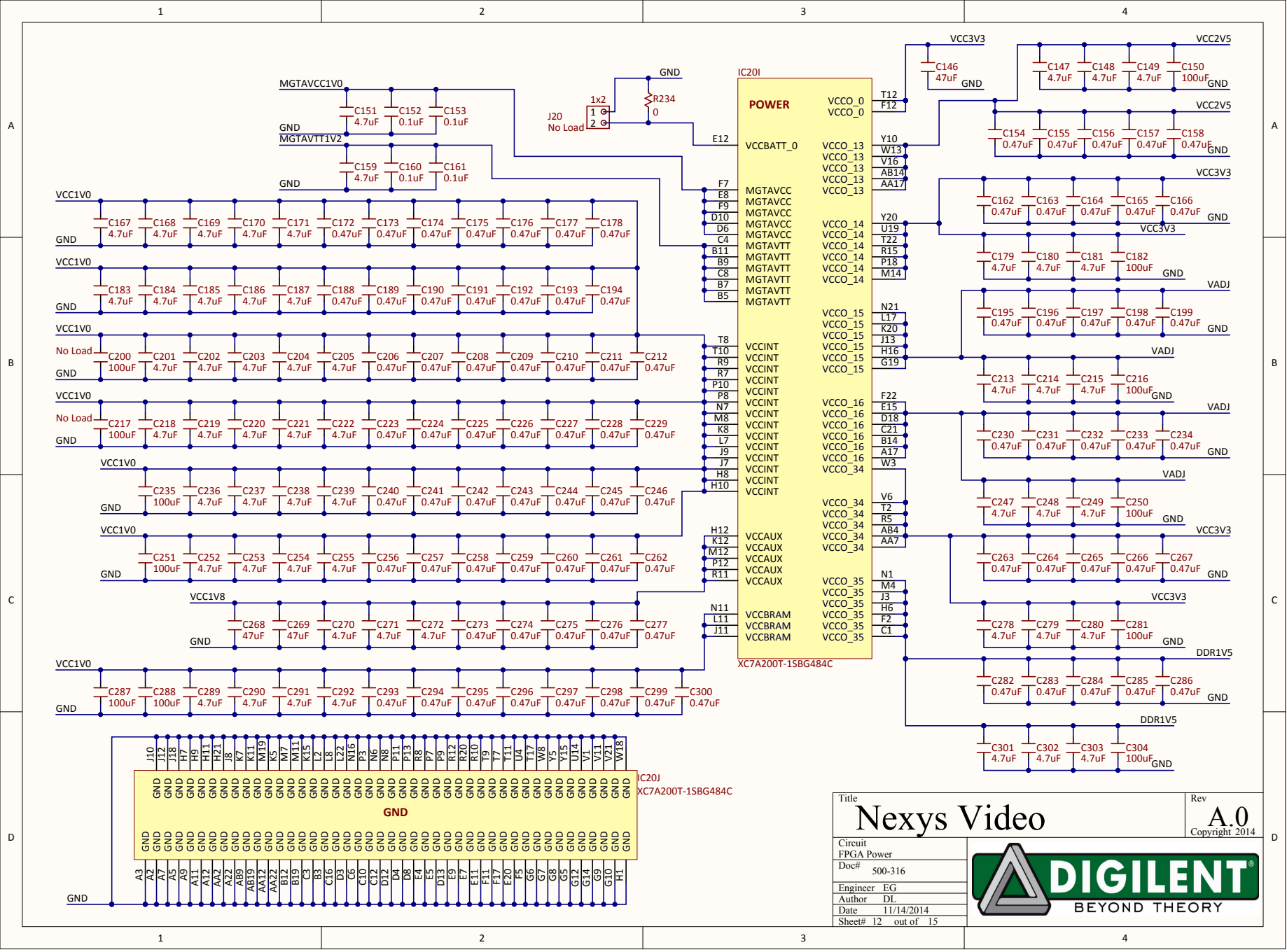
VCC3V3



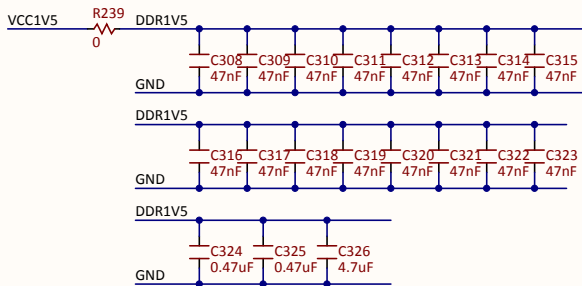
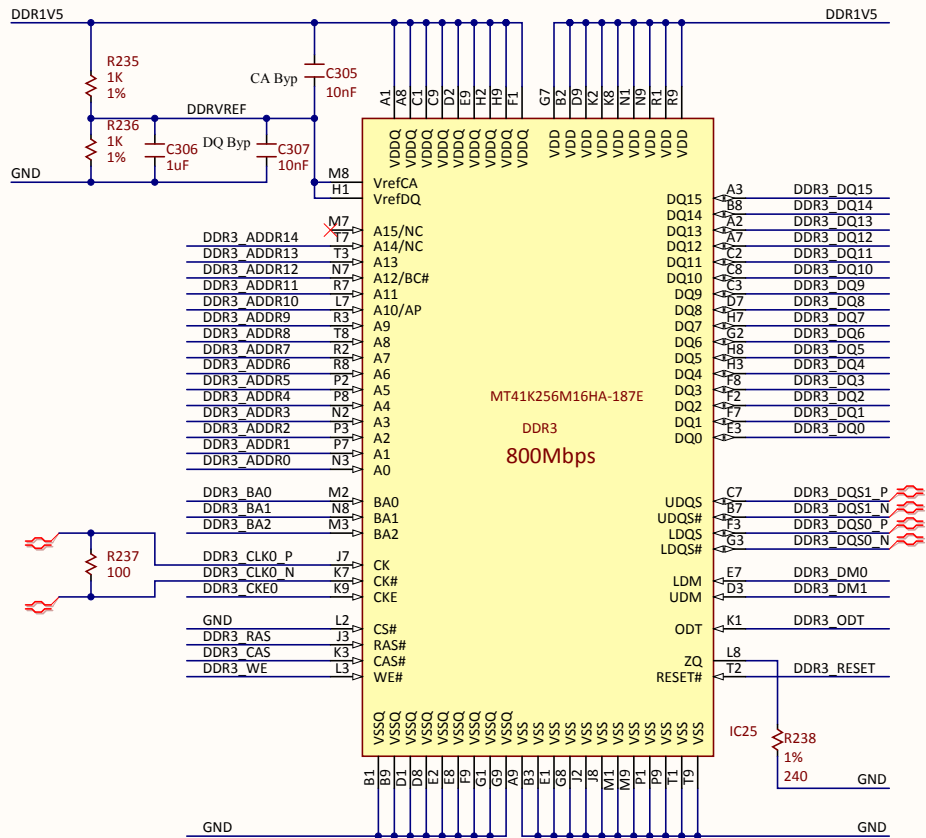
VCC1V5



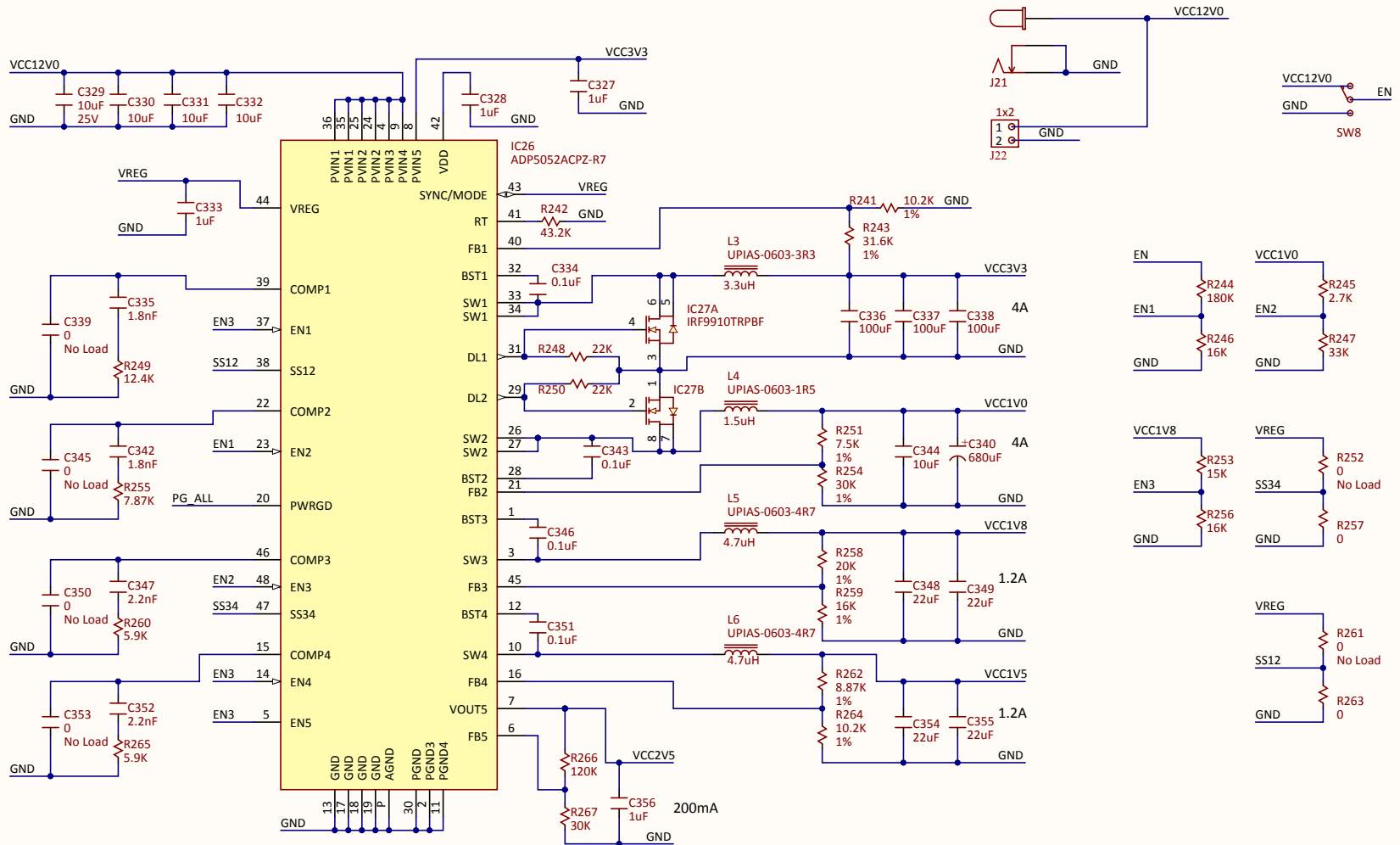
Title			Rev
			A.0
Circuit		Copyright 2014	
FPGA Banks			
Doc#		500-316	
Engineer		EG	
Author		DL	
Date		11/14/2014	
Sheet#		11 out of 15	
		BEYOND THEORY	



Title		Nexys Video		Rev		A.0	
Circuit		FPGA Power		Author		DL	
Doc#		500-316		Date		11/14/2014	
Engineer		EG		Sheet#		12 out of 15	
							



Title		Rev	
Nexys Video		A.0	
Circuit		Copyright 2014	
DDR3			
Doc#		500-316	
Engineer		EG	
Author		DL	
Date		11/14/2014	
Sheet#		13 out of 15	



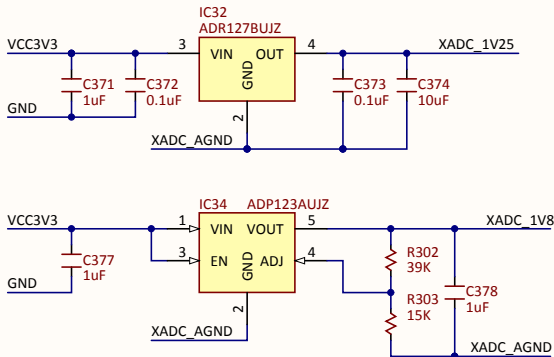
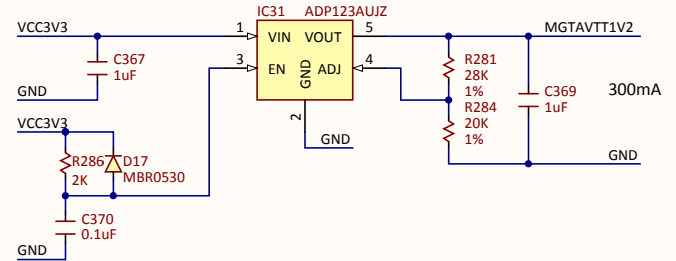
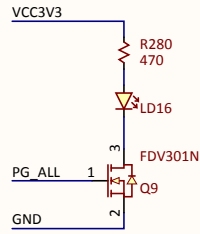
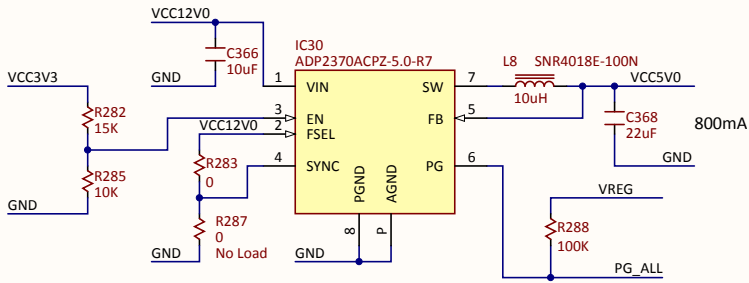
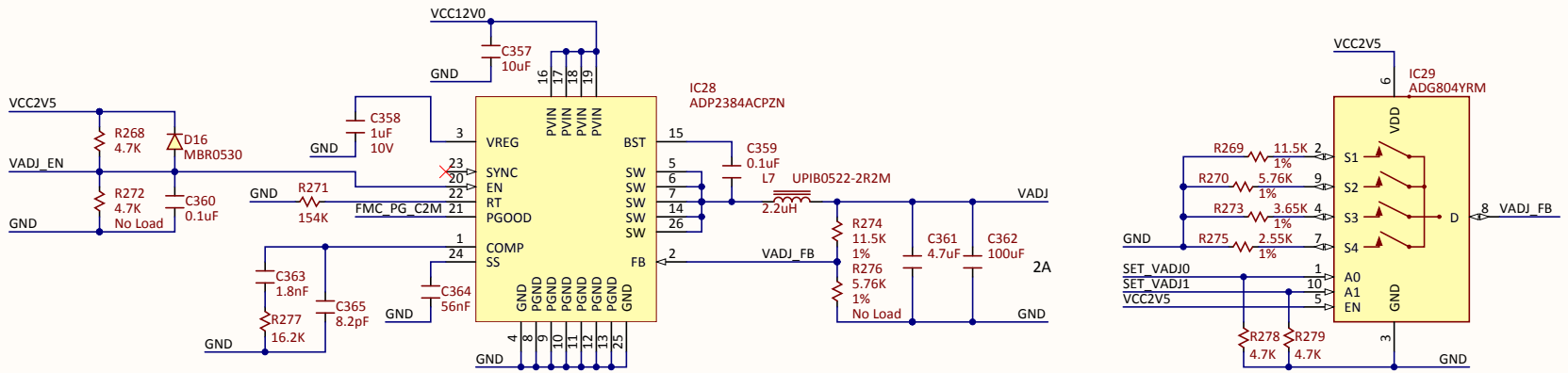
Title		Rev	
Nexys Video		A.0	
Copyright 2014			
Circuit Power	Doc#	500-316	
Engineer	EG		
Author	DL		
Date	11/14/2014		
Sheet#	14	out of	15



DIGILENT
BEYOND THEORY

For more information about this parts please refer to:

www.analog.com/adp5052 5-Channel Integrated Power Solution with Quad Buck Regulators and 200 mA LDO Regulator



For more information about this parts please refer to:

- www.analog.com/adp2370 High Voltage, 1.2 MHz/600 kHz, 800 mA, Low Quiescent Current Buck Regulator
- www.analog.com/adr127 Precision, Micropower LDO Voltage References in TSOT
- www.analog.com/adp123 5.5 V Input, 300 mA, Low Quiescent Current CMOS Linear Regulator
- www.analog.com/adp2384 20 V, 4 A, Synchronous, Step-Down DC-to-DC Regulator
- www.analog.com/adg804 0.5 ? CMOS 1.65 V TO 3.6 V 4-Channel Multiplexe

Title		Nexys Video		Rev		A.0	
Copyright		2014					
Circuit Power		Doc#		500-316			
Author		EG		DL			
Date		11/14/2014					
Sheet#		15		out of 15			