

Title: Solving Problems by Searching  
AIMA: Chapter 3 (Sections 3.1, 3.2 and 3.3)

Introduction to Artificial Intelligence  
CSCE 476-876, Spring 2015

**URL:** [www.cse.unl.edu/~choueiry/S15-476-876](http://www.cse.unl.edu/~choueiry/S15-476-876)

Berthe Y. Choueiry (Shu-we-ri)  
(402) 472-5444

# Summary

## Intelligent Agents

- Designing intelligent agents: PAES
- Types of Intelligent Agents
  1. Self Reflex
  2. ?
  3. ?
  4. ?
- Types of environments: observable (fully or partially), deterministic or stochastic, episodic or sequential, static vs. dynamic, discrete vs. continuous, single agent vs. multiagent

## Outline

- Problem-solving agents
- Formulating problems
  - Problem components
  - Importance of modeling
- Search
  - basic elements/components
  - Uninformed search (Section 3.4)
  - Informed (heuristic) search (Section 3.5)

## Simple reflex agent unable to plan ahead

- actions limited by current percepts
- no knowledge of what actions do
- no knowledge of what they are trying to achieve

4

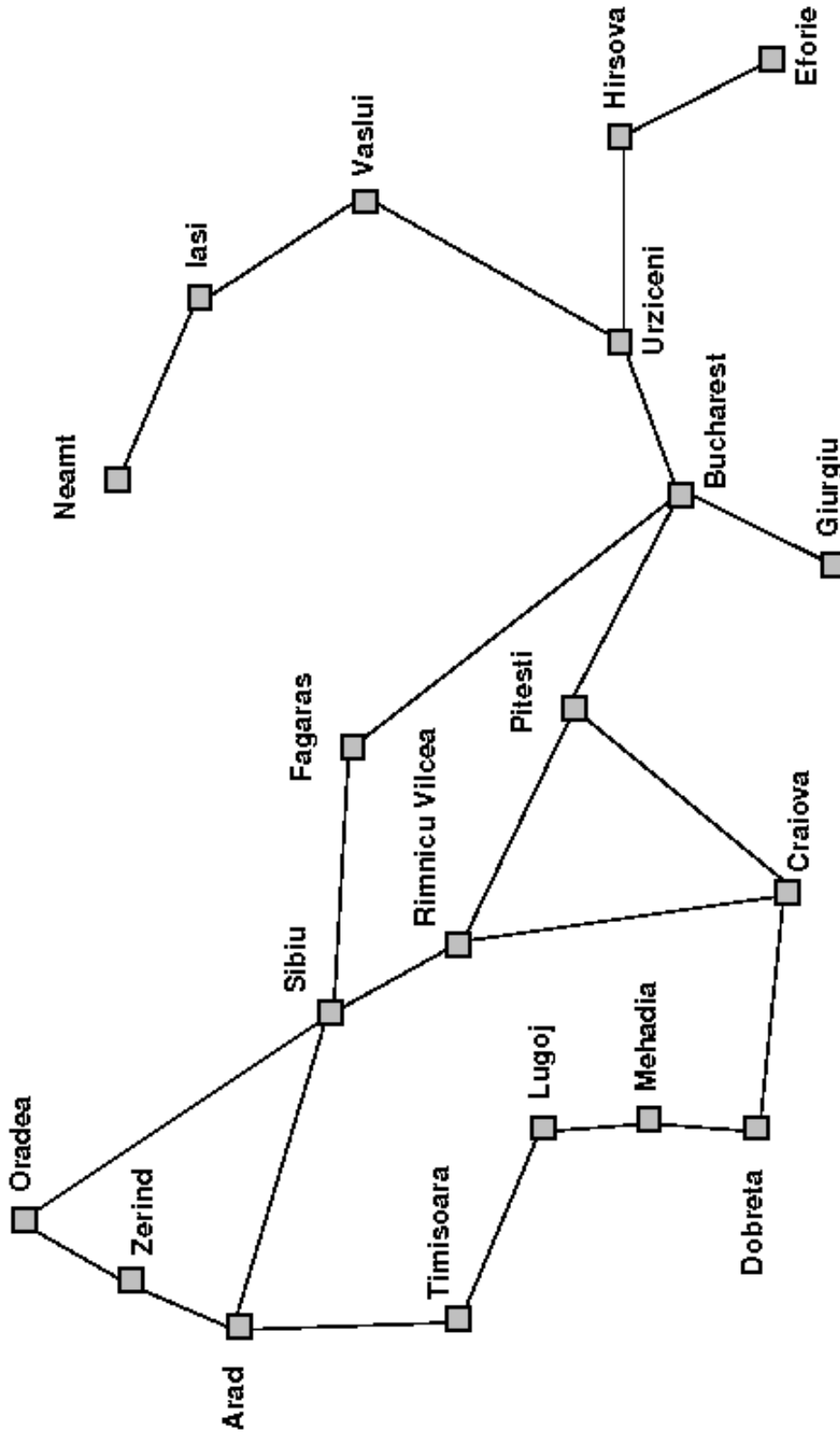
## Problem-solving agent: goal-based agent

### Given:

- a problem formulation: a set of states and a set of actions
- a goal to reach/accomplish

### Find:

- a sequence of actions leading to goal



## **Example:** Holiday in Romania

On holiday in Romania, currently in Arad, want to go to Bucharest

Formulate goal:

be in Bucharest

Formulate problem:

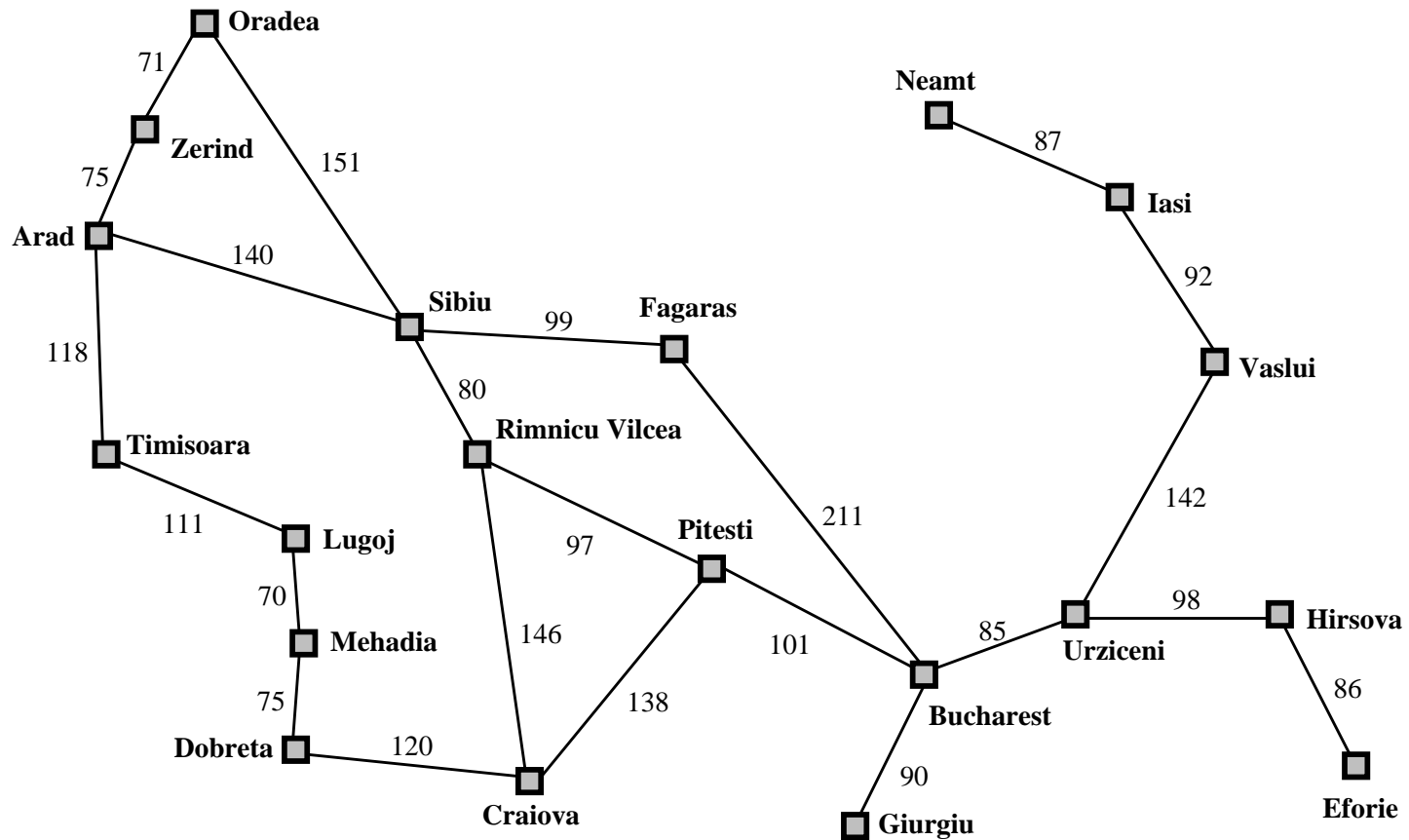
*states:* various cities

*actions:* (operators, successor function) drive between cities

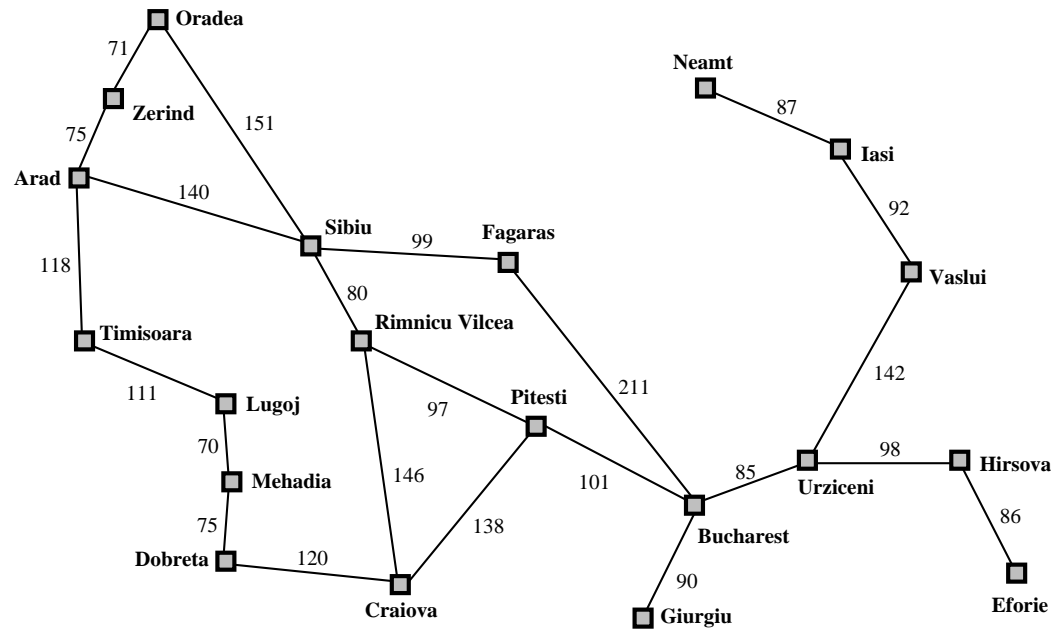
Find solution:

sequence of cities, *e.g.* Arad, Sibiu, Fagaras, Bucharest

Drive to Bucharest... how many roads out of Arad?



Use map to consider hypothetical journeys through each road until reaching Bucharest



Looking for a sequence of actions  $\longrightarrow$  search

Sequence of actions to goal  $\longrightarrow$  solution

Carrying out actions  $\longrightarrow$  execution phase

Formulate, search, execute



## Formulate, search, execute

```

function SIMPLE-PROBLEM-SOLVING-AGENT(p) returns an action
  inputs: p, a percept
  static: s, an action sequence, initially empty
           state, some description of the current world state
           g, a goal, initially null
           problem, a problem formulation

  state ← UPDATE-STATE(state, p)
  if s is empty then
    g ← FORMULATE-GOAL(state)
    problem ← FORMULATE-PROBLEM(state, g)
    s ← SEARCH(problem)
  action ← RECOMMENDATION(s, state)
  s ← REMAINDER(s, state)
  return action

```

× Update-State

× Formulate-goal

✓ Formulate-Problem

✓ Search

Recommendation = first, and Remainder = rest

**Assumptions for environment:** observable, static, discrete, deterministic  
 sequential, single-agent

## Problem formulation

A *problem* is defined by the following items:

1. *initial state*:  $In(Arad)$
2. *successor function*  $S(x)$  (operators, actions)  
Example,  $S(In(Arad)) = \{\langle Go(Sibiu), In(Sibiu) \rangle, \langle Go(Timisoara), In(Timisoara) \rangle, \langle Go(Zerind), In(Zerind) \rangle\}$
3. *goal test*, can be explicit, e.g.,  $x = In(Bucharest)$   
or a property  $NoDirt(x)$
4. *step cost*: assumed non-negative
5. *path cost* (additive)  
e.g., sum of distances, number of operators executed, etc.

A *solution* is a sequence of operators leading from the initial state to a goal state.

Solution quality, optimal solutions.

## Importance of modeling (for problem formulation)

Real art of problem solving is modeling,

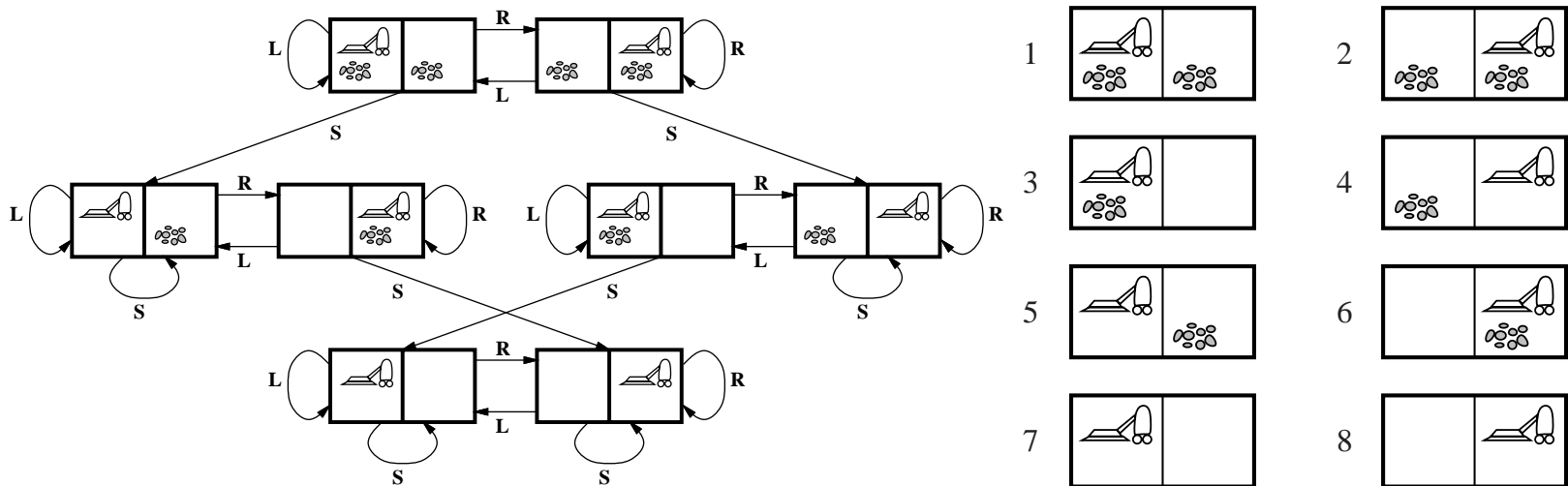
deciding what's in  $\left\{ \begin{array}{l} \text{state description} \\ \text{action description} \end{array} \right.$   
choosing the right level of abstraction

**State abstraction:** road maps, weather forecast, traveling companions, scenery, radio programs, ...

**Action abstraction:** generate pollution, slowing down/speeding up, time duration, turning on the radio, ..

Combinatorial explosion. Abstraction by removing irrelevant detail make the task easier to handle

# State space vs. state set



# Example problems

## Toy Problems:

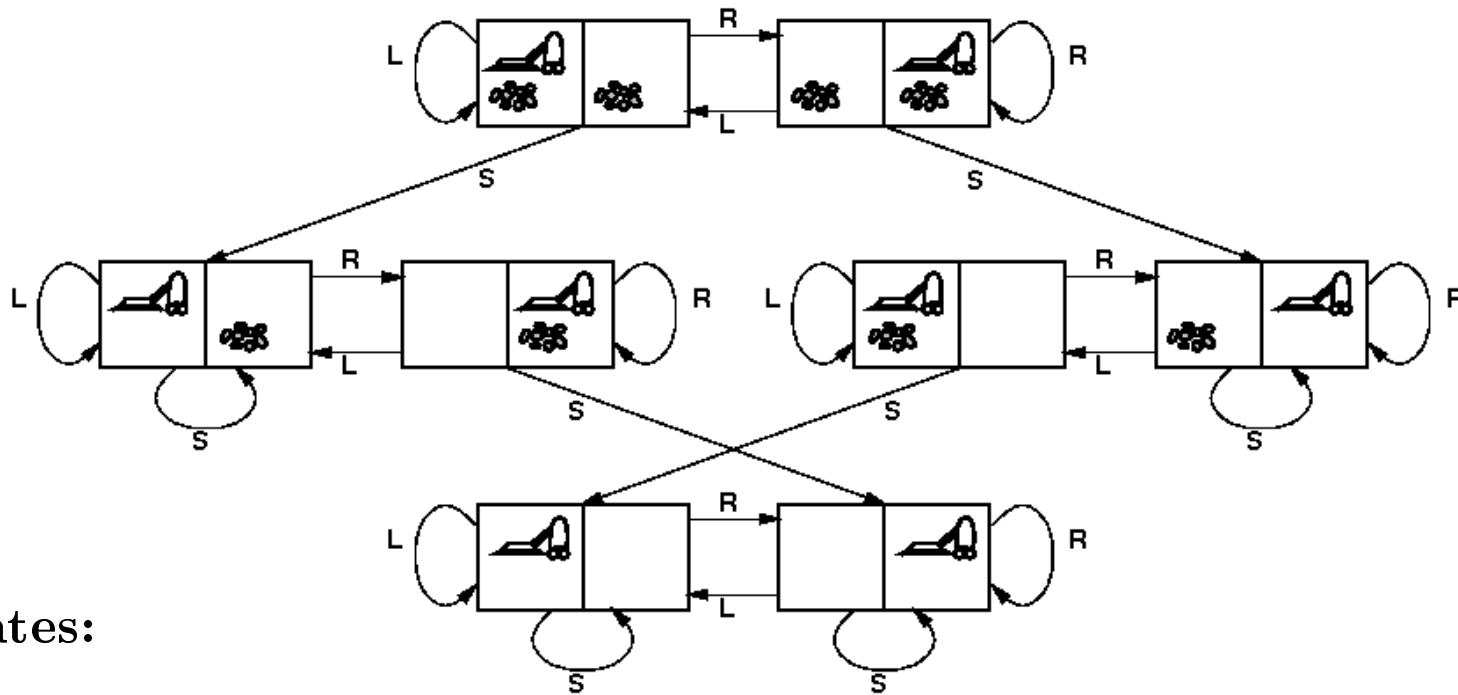
- intended to illustrate or exercise  $\left\{ \begin{array}{l} \text{concepts} \\ \text{problem-solving methods} \end{array} \right.$
- ✓ can be give concise, exact description
- ✓ researchers can compare performance of algorithms
- × yield methods that rarely scale-up
- × may reflect reality inaccurately (or not at all)

## Real-world Problems:

- more difficult but whose solutions people actually care about
- ✓ more credible, useful for practical settings
- × difficult to model, rarely agreed-upon descriptions

# Toy problem: vacuum

Single state case



States:

Initial State:

Successor function:

Goal test:

Path cost:

With 2 locations:  $2 \cdot 2^2$  states. With  $n$  locations:  $n \cdot 2^n$  states

## Toy problem: 8-puzzle

5	4	
6	1	8
7	3	2

Start State

1	2	3
8		4
7	6	5

Goal State

**States:**

**Initial state:**

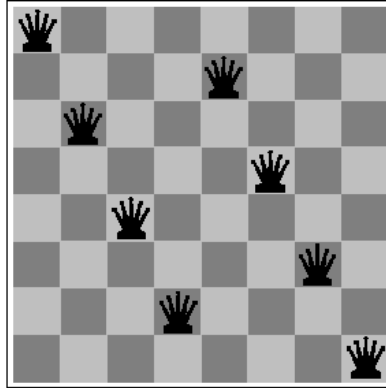
**Successor function:**

**Goal test:**

**Path cost:**

- instance of sliding-block puzzles, known to be **NP**-complete
- Optimal solution of  $n$ -puzzle **NP**-hard
- so far, nothing better than search
- 8-puzzle, 15-puzzle traditionally used to test search algorithms

## Toy problem: $n$ -Queens



→ Formulation: incremental vs. complete-state

**States:** Any arrangement of  $x \leq 8$  queens on board

**Initial state:**

**Successor function:** add a queen (alt., move a queen)

**Goal test:** 8 queens not attacking one another

**Path cost:** irrelevant (only final state matters)

→  $64^8$  possible states, but  $\exists$  other more effective formulations



## Toy problems: requiring search

✓ 8 puzzles

✓  $n$ -queens

✓ vacuum

Others: Missionaries & cannibals, farmer's dilemma, etc.

## Real-world problems: requiring search

- Route finding: state = locations, actions = transitions  
routing computer networks, travel advisory, etc.
- Touring: start in Bucharest, visit every city at least once  
Traveling salesperson problem (TSP) (exactly once, shortest tour)
- VLSI layout: cell layout, channel layout  
minimize area and connection lengths to maximize speed
- Robot navigation (continuous space, 2D, 3D, *ldots*)
- Assembly by robot-arm  
States: robot joint angles, robot and parts coordinates  
Successor function: continuous motions of the robot joints  
goal test: complete assembly  
path cost: time to execute
- + protein design, internet search, etc. (check AIMA)

# Problem solving performance

Measures for effectiveness of search:

1. Does it find a solution? complete
2. Is it a good solution? path cost low
3. Search cost? time & space

**Total cost** = Search cost + Path cost

→ problem?

Example: Arad to Bucharest

Path cost: total mileage, fuel, tire wear  $f(\text{route})$ , etc.

Search cost: time, computer at hand, etc.

## So far

- Problem-solving agents

Formulate, Search, Execute

- Formulating problems

- Problem components: States, Initial state, Successor function, Goal test, Step cost, Path cost

Solution: sequence of actions from initial state to goal state

- Importance of modeling

## Now, search

- Terminology: tree, node, expansion, fringe, leaf, queue, strategy
- Implementation: data structures
- Four evaluation criteria.. ?

**Search:** generate action sequences

partial solution: sequence yielding a (non goal) intermediate state

Search  $\left\{ \begin{array}{l} \text{generate} \\ \text{maintain} \end{array} \right\}$  a set of sequences of partial solutions

Two aspects:

1. how to generate sequences
2. which data structures to keep track of them

**Search** generate action sequences

Basic idea:

offline, simulated exploration of state space  
by generating successors of already-explored states  
→ *expanding* states

Start from a state, test if it is a goal state

If it is, we are done

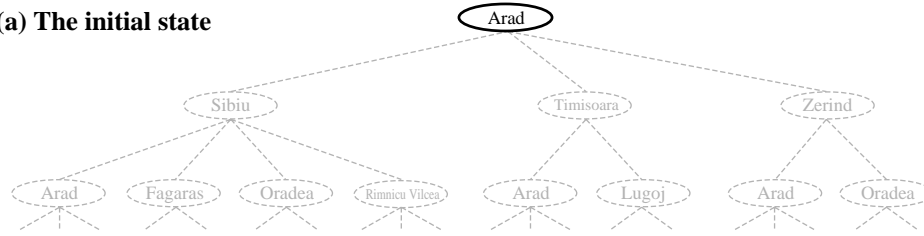
If it is not: *expand state*

Apply all operators applicable to current state to  
generate all possible sequences of future states

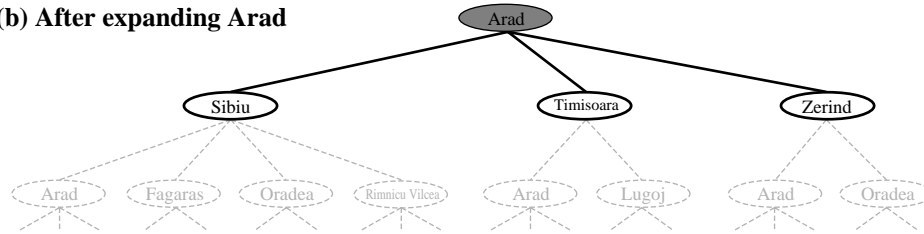
*now we have set of partial solutions*

...

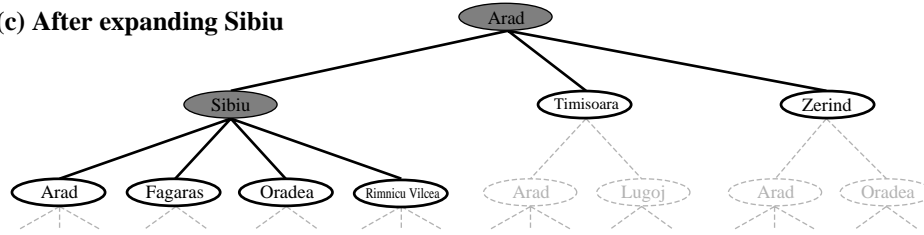
(a) The initial state



(b) After expanding Arad



(c) After expanding Sibiu



Search tree, nodes { root: initial state  
leaves: states that can/should not be expanded

## Data structure

*LHW Chapter 13*

A node  $x$  has a parent, children, depth, path cost  $g(x)$

A data structure for a search node

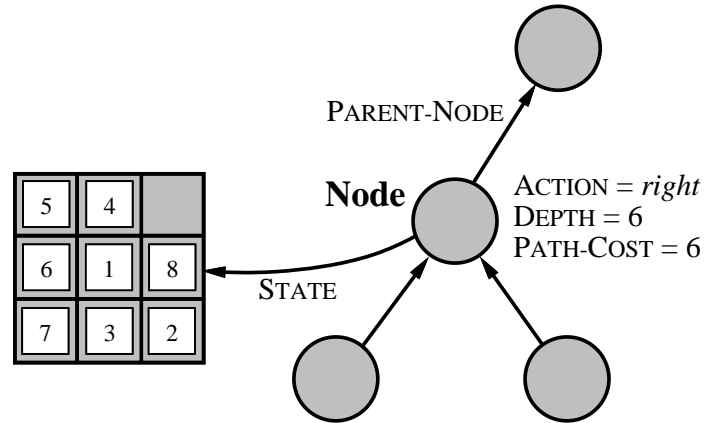
{	$State[x]$	state in state space
	$Parent - Node[x]$	parent node
	$Action[x]$	operator used to generate node
	$Path - Cost[x]$	path cost of parent+cost step, path cost $g(x)$
	$Depth[x]$	<b>depth:</b> # nodes from root (path length)

Nodes to be expanded

{	constitute a fringe (frontier)
	managed in a queue,
	order of node expansion determines search strategy



## Warning:



25

Do not confuse: State space and Search (tree) space

Holiday in Romania:

What is a state?

What is the state space?

What is the size of state space?

What is the size of search tree ?

A node has a parent, children, depth, path cost  $g(x)$

A state has no parent, children, depth, etc..

## Types of Search

**Uninformed:** use only information available in problem definition

**Heuristic:** exploits some knowledge of the domain

### Uninformed search strategies:

Breadth-first search, Uniform-cost search, Depth-first search, Depth-limited search, Iterative deepening search, Bidirectional search

## Search strategies

### Criteria for evaluating search:

1. Completeness: does it always find a solution if one exists?
2. Time complexity: number of nodes generated/expanded
3. Space complexity: maximum number of nodes in memory
4. Optimality: does it always find a least-cost solution?

### Time/space complexity measured in terms of:

- $b$ : maximum branching factor of the search tree
- $d$ : depth of the least-cost solution
- $m$ : maximum depth of the search space (may be  $\infty$ )