

Homework 3: Programming Assignment Using Emacs and Common Lisp

Assigned on: Monday, February 9, 2015.

Due: Monday, February 23, 2015.

If you do the Missionaries & Cannibals puzzle, Friday, February 27, 2015.

Contents

1 Find (6 points)	3
2 List iteration (Total 8 points, 2 points each)	4
3 Exify (8 points)	4
4 Count occurrences (5 points)	4
5 Dot Product (5 points)	4
6 X-product (15 points)	5
7 Bonus: Cartesian Product (15 points)	5
8 Data Structures in LISP (5 Points)	5
9 Objects & Methods in LISP (30 points + 6 Bonus)	5
10 Missionaries & Cannibals puzzle in Lisp (Bonus 20 points)	7

The goal of this programming assignment is to familiarize you with Common Lisp by demonstrating a few simple programs and asking you to write a few more. For each of the problems, create a separate lisp file. Name them `problem1.lisp`, `problem2.lisp`, and so on. Store all of your work on a given problem in the same file. When required to define several functions in a given problem, put them all in the same file.

Getting started

You have already seen most of the content of this ‘getting started’ section during the recitations. We just want to insist and make sure that you have gone through the steps below.

Emacs is more than a simple (and powerful) editor: it provides you with a terrific environment for running a Common Lisp interpreter. Emacs may seem a little confusing at the beginning, but your efforts will quickly pay off.

1. Carefully follow the instructions provided during recitation for setting up your environment, then conscientiously go through the Emacs tutorial:

<http://csce.unl.edu/~choueiry/emacs-tutorial.txt>

2. Check out the key-stroke accelerators provided in

<http://cse.unl.edu/~choueiry/emacs-lisp.html>

Open an Emacs buffer, create a file `my-test.lisp`, write a Lisp function, and test it. In particular, load a file (`C-x C-f`), check how `TAB` and the `Space` bar achieve completion of commands and file names, interrupt a command (`C-g`), delete a line in a buffer (`C-k`), move forward and backward in the buffer (`C-f`, `C-b`, `M-f`, `M-b`, etc.), save the modifications in the buffer to the file (`C-x C-f`), check the message in the mini buffer), kill an open buffer (`C-x k`)

3. Start a Lisp interpreter in Emacs by typing `M-x fi:common-lisp` (check out completion with the space bar by typing `M-x fi:com<space-bar>`). Answer yes by typing `<return>` to all questions asked in the mini-buffer (until you learn to do otherwise). Now you should have a prompt sign of the Lisp interpreter. This is a loop that reads whatever you type in and evaluates it as a Lisp expression as soon as you hit the carriage return. Practice your knowledge of Emacs and interactions with the Lisp interpreter by executing all the instructions in Chapter 2, 3, and 4 of LWH. In particular,

- Test the functions `car`, `cdr`, `cadr`, `cdar`, `first`, `length` which operate on a list.
- Test `cons`, `append` and `list` and note the differences between them with respect to their input and output.
- Test `push`, `pop`, `pushnew`, `delete` and `remove` and note whether or not they are destructive.
- Test unary predicates `atom`, `listp`, `consp`, `null`, `evenp`, `oddp`, etc. on atoms, numbers, lists, `NIL` and `T` as input.
- Test the binary predicate `=`. The test `eq`, `eql` and `equal`. For instance, define: `(setf ls1 '(a b c))` and `(setf ls2 '(b c))`. Now, Test: `(eq (cdr ls1) ls2)` and `(equal (cdr ls1) ls2)`. What do you conclude?
- Read about and test the constructs `if`, `when`, `cond`, `do`, `do*`, `dolist`, `dotimes`, `mapcar`, `find`, `reduce` (my absolute favorite), `some`, `every`,
- Read about and test the functions on sets (as lists): `intersection`, `union`, `set-difference`, `member`, `subsetq`, `adjoin`.

- `mapcar` is a very useful function that will make the dot-product, x-product, and Cartesian Product very simple to do. `mapcar` is used in the form (literally taken from Guy Steele's *Common Lisp* page171):

`mapcar function list &rest more-lists`

`mapcar` operates on successive elements of the lists. First the function is applied to the `car` of each list, then to the `cadr` of each list, and so on. The value returned by `mapcar` is a list of the results of the successive calls to the function. For example:

`(mapcar #'abs '(3 -4 2 -5 -6)) ⇒ (3 4 2 5 6)`
`(mapcar #'+ '(1 2 3) '(1 2 3)) ⇒ (1 4 6)`

4. Save some of the functions you have written in the file `my-test.lisp`. Exit Lisp by typing `:exit` in the Lisp interpreter and start Lisp again typing `M-x fi:com<space-bar>`. You can load the functions you have written in `my-test.lisp` in the Lisp environment by typing in your lisp buffer:

`(load "<path>/my-test.lisp")`

Emacs provides also some quick commands: `:ld ~/<path>/my-test.lisp`. To have a list of all the abbreviated commands provided by emacs, type in your Lisp buffer `help`. Note that all abbreviated commands start with `:`.

5. The stepper of ACL works best on compiled code, **and** when you stick to the following scenario. First, compile your file and load the compiled file. Then, type in the `*common-lisp*` buffer in Emacs: `:step '<name of the function to step through>`. Then type the function call: (`<name of the function to step through>` `<arg1>` `<arg2>` etc.). To stop the stepper, just type: `:step`.
6. Use the time and space profiler of Composer to improve your code. Use the Lisp function `time` to evaluate the cost of your code (time and space). You may want to make sure to do the right DECLARATIONS for optimizing your code for speed (check a Lisp manual), etc.
7. Exit Lisp with `:ex` and quit emacs `C-x C-c`.

Now, it is time to jump into the fire! Do not hesitate to ask the TA and RAs for help.

1 Find (6 points)

Common Lisp has a built-in function called `find`, which is called with the syntax

`(find element list)`

and will return `nil` if the `element` is not found in the `list`. If, on the other hand, the `element` is found in the list, the function will simply return that element. For example, `(find 'b '(a b c d))` will return `B`. Observe that `(find 'b '(a b c a b c))` also returns `B`. Modify the `my-member-` functions that you wrote for the above problem to duplicate the built-in `find` function. This is a very simple task.

1. Create a function (`my-find-cond element list`) that uses recursion.
2. Create a function (`my-find-do element list`) that uses iteration.

2 List iteration (Total 8 points, 2 points each)

The goal of this exercise is to make you use various constructs of Common Lisp to iterate over the elements of list. You are asked to write a function `double-xx` that takes as input a list of numbers such as `'(3 22 5.2 34)` and returns a list of “doubled-up” numbers `'(6 44 10.4 68)`.

1. Write `double-mapcar` using `mapcar`.
2. Write `double-dolist` using `dolist`.
3. Write `double-do` using `do`.
4. Write `double-recursive` using `cond` and recursive calls.

3 Exify (8 points)

Write a *recursive* function `exify` that takes a list as input and returns a list in which all non-nil elements are replaced by the atom `X`.

Test it first on: `(exify '(1 hello 3 foo 0 nil bar))`.

It should return: `(X X X X NIL X)`.

Then test it on: `(exify '(1 (hello (3 nil (foo)) 0 (nil)) (((bar))))))`.

It should return: `(X (X (X NIL (X)) X (NIL)) (((X))))`.

4 Count occurrences (5 points)

Write a *recursive* function `count-anywhere` that takes an atom and an arbitrary nested list as input and counts the number of times the atom occurs anywhere within the list. Example `(count-anywhere 'a '(a (b (a) (c a)) a))` returns 4.

5 Dot Product (5 points)

Write a function that computes the dot product of two sequences of numbers represented as lists. Assume that the two lists given as input have the same length. The dot product is computed by multiplying the corresponding elements and then adding up the resulting product. Example:

$$\begin{aligned}(\text{dot-product } '(10\ 20) \ '(3\ 4)) &= 110 \\(\text{dot-product } '(1\ 2\ 4\ 5) \ '(3\ 4\ 3\ 4)) &= 43\end{aligned}$$

6 X-product (15 points)

Write a function that takes a function name and two lists and returns the x-product defined by applying the function on the elements of the lists at the same position. Example:

```
(x-product #'(1 2 3) '(10 20 30)) returns (11 12 13 21 22 23 31 32 33) and
```

```
(x-product #'list '(1 2 3) '(a b c))
```

```
returns ((1 A) (2 A) (3 A) (1 B) (2 B) (3 B) (1 C) (2 C) (3 C))
```

Note: The terminology used above (i.e., dot, x-, Cartesian product) is *not* a strict one.

7 Bonus: Cartesian Product (15 points)

Write a function that takes a list of *any* number of lists and return the Cartesian product:

```
(k-product '((a b c) (1 2 3)))
```

```
returns: ((A 1) (A 2) (A 3) (B 1) (B 2) (B 3) (C 1) (C 2) (C 3)) and
```

```
(k-product '((a b) (1 2 3) (x y)))
```

```
returns: ((A 1 X) (A 1 Y) (A 2 X) (A 2 Y) (A 3 X) (A 3 Y)
```

```
(B 1 X) (B 1 Y) (B 2 X) (B 2 Y) (B 3 X) (B 3 Y))
```

8 Data Structures in LISP (5 Points)

- Using `defstruct` create the data type `person`, with fields for a person's name, age, and list of pointers the structures of the siblings of the person.
- Create structures for Bob age 21, Susan age 18, and Frank age 16, who are all siblings.
- Use the `print` function to display the information about the people. What happens?
- The problem, if you notice it, is the print function of the data structure. Each symbol in lisp has a print function, which displays some information when the symbol is evaluated. We will be discussing the solution to this problem in recitation, however, you may want to start investigating how to modify the print function of `defstruct`, which can be easily done.

9 Objects & Methods in LISP (30 points + 6 Bonus)

This section of the homework deals with time intervals, which are the building blocks for temporal reasoning. For more background on the subject, goto pages 448 and 449 of AIMA. Figure 1 introduces 6 qualitative relationships that may exist between two intervals (there are 13 of them, called the Allen relations for qualitative temporal reasoning).

You are asked to implement CLOS (Common Lisp Object System) objects to represent the intervals and methods to determine whether or not the predicates hold.

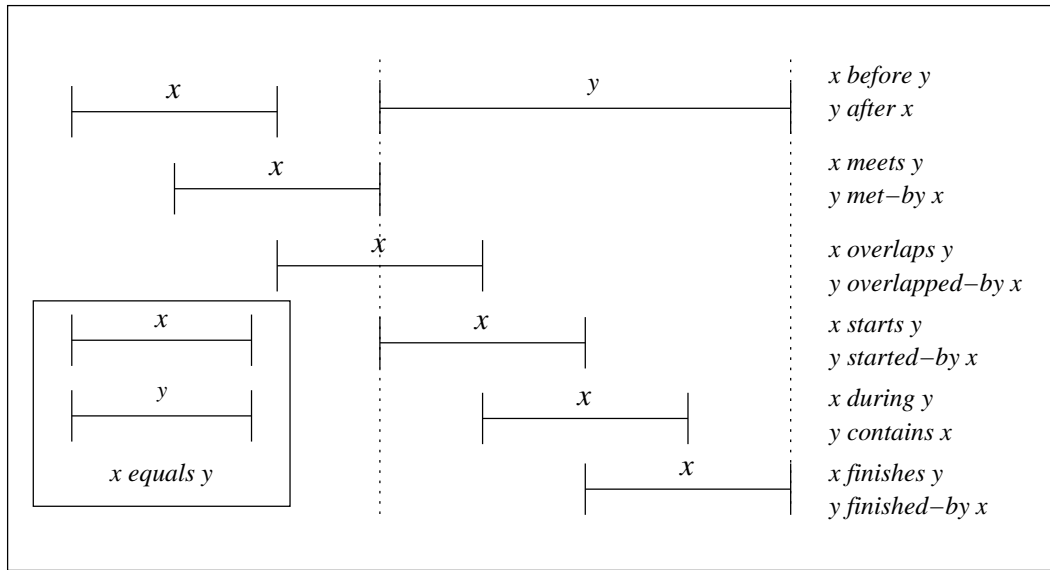


Figure 1: Predicates on time intervals

1. Implement, using `defclass`, a data type `time-point` that has one slot, which is an integer (representing seconds).
2. Implement, using `defclass`, two data types `begint` and `endt`, as subclasses of `time-point`.
3. Implement, using `defclass`, a data type `interval` that has the following slots: `task-name`, `begint`, and `endt`, where `begint` and `endt` are of the type `time-points`.
4. Write the methods that implement the predicates listed below and illustrated in Figure 1, which take as input two objects of type `interval` and return whether or not each of the following predicates holds.

- $Meet(i,j) \Leftrightarrow Time(End(i)) = Time(Start(j))$
- $Before(i,j) \Leftrightarrow Time(End(i)) < Time(Start(j))$
- $After(i,j) \Leftrightarrow Before(j,i)$
- $During(i,j) \Leftrightarrow Time(Start(j)) \leq Time(Start(i)) \wedge Time(End(i)) \leq Time(End(j))$
- $Overlap(i,j) \Leftrightarrow \exists k \text{ } During(k,i) \wedge During(k,j)$

Bonus: The following predicates count for bonus points (2 points each).

- $Equals(i,j) \Leftrightarrow Time(Begin(i)) = Time(Begin(j)) \wedge Time(End(i)) = Time(End(j))$
- $Finishes(i,j) \Leftrightarrow Time(End(i)) = Time(End(j))$
- $Contains(i,j) \Leftrightarrow Time(Begin(i)) < Time(Begin(j)) \wedge Time(End(i)) > Time(End(j))$

The last two exercises in this homework are meant to introduce you to structures and classes. Generally speaking, structures are much lighter data objects than classes are. This is because classes require the definition of a many initialization methods (as described in the beautiful book *The Art of the Metaobject Protocol* of Kiczales). Classes are powerful, but heavy, so do use them only when you really need them.

10 Missionaries & Cannibals puzzle in Lisp (Bonus 20 points)

The Lisp code for the farmer's dilemma is made available on the web site of the course under the section 'Recitation.'

- Study this code and run it in ACL. 'Trace' the main functions until you understand how they work.
- Then, using the code for the Farmer's dilemma, write the Lisp code for solving the Missionaries and Cannibals puzzle.
- Submit your code and the solution to the puzzle.

If you complete successfully this portion of the homework, you can submit your homework on Monday Feb 20 (an extension of 3 days).